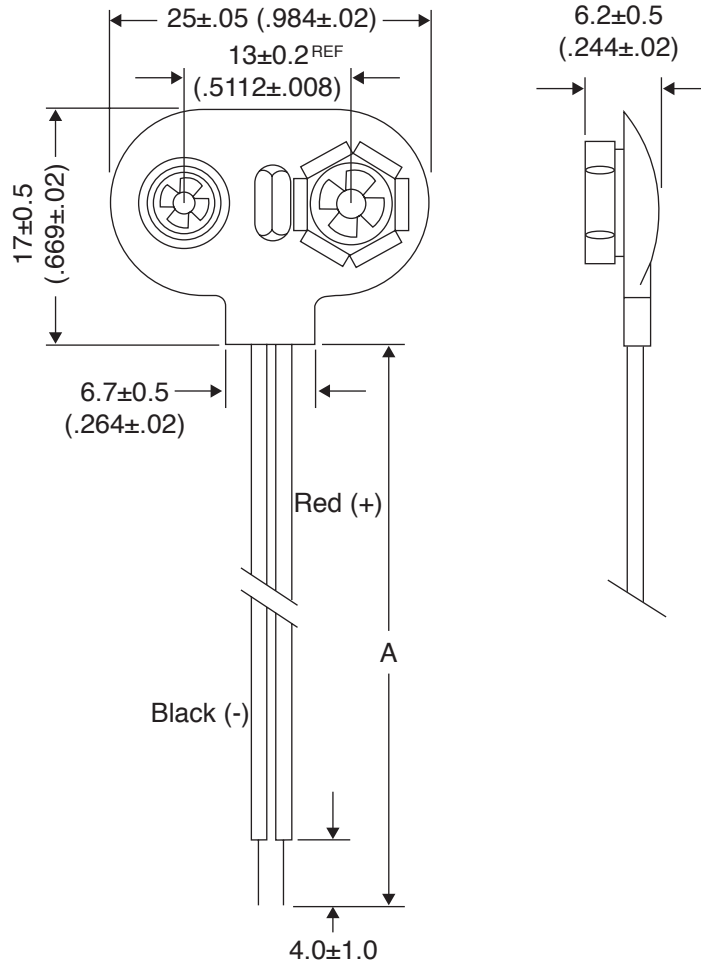


"I" Type Battery Snaps

121-0426/T, 121-0526/T, 121-0626/T,
121-0826/T, 121-1026/T

Date Last Revised: 10-25-05



Dimensions: mm (In.)

Part No.	A
121-0426/T	"T" 4" 26AWG
121-0526/T	"T" 5" 26AWG
121-0626/T	"T" 6" 26AWG
121-0826/T	"T" 8" 26AWG
121-1026/T	"T" 10" 26AWG

SPECIFICATIONS	
Material:	P.V.C. Cover, Black Color
Terminal:	6 Prongs
Wire:	AWG26, Black and Red, Strip & Tin
Snaps:	Nickel Plated Brass